

# Intelligent 12-Unit Charging Tray/Carrying Case



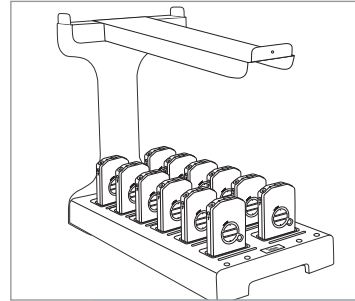
## Quick Reference Card

### Setup & Dispensing

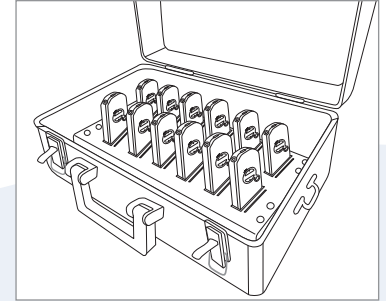
This quick reference card is intended to provide setup and dispensing instructions for:

- LA-381 Intelligent 12-Unit Charging Tray
- LA-380 Intelligent 12-Unit Charging/Carrying Case

For additional assistance, please refer to the User Manual.

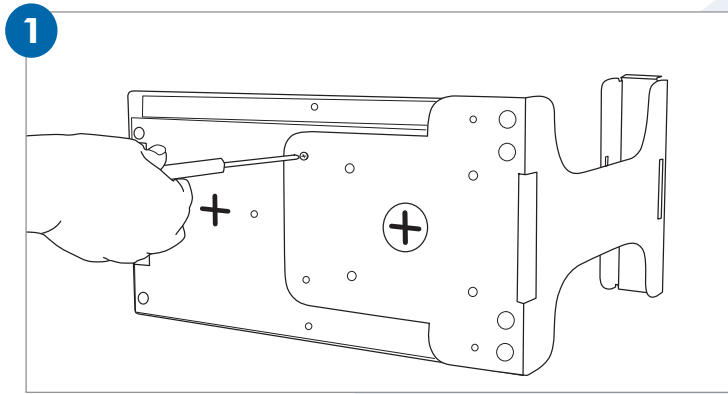


Charging Tray

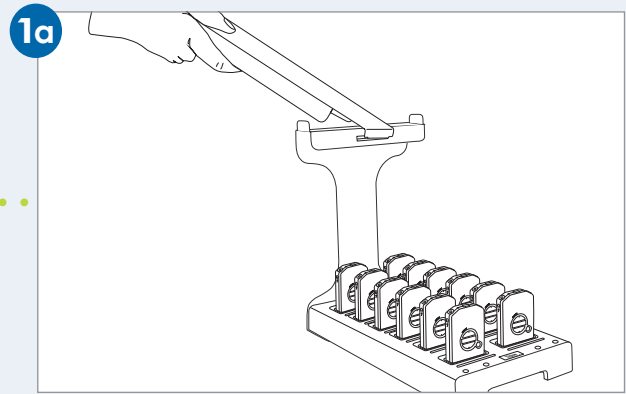


Charging/Carrying Case

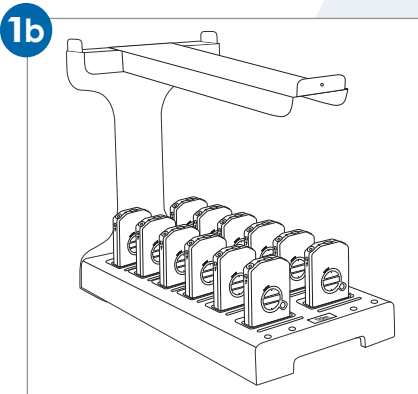
## SETUP INSTRUCTIONS



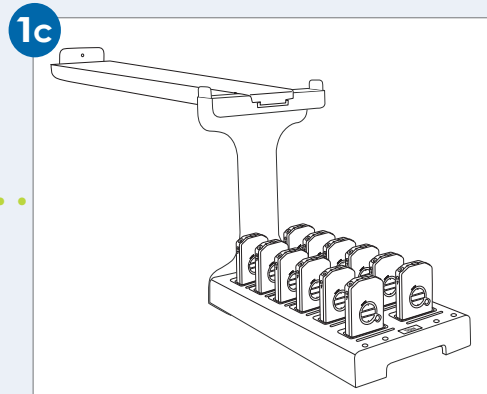
1 Attach lanyard organizer base (optional) to charging tray



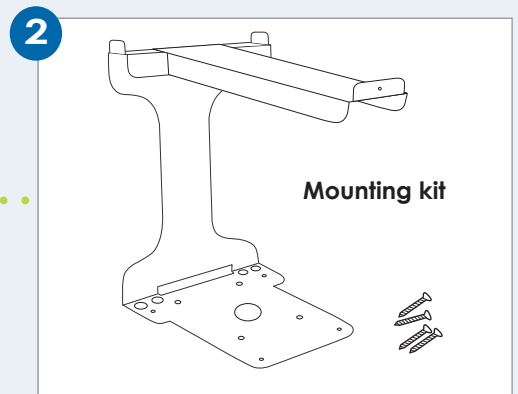
1a Attach lanyard organizer arm



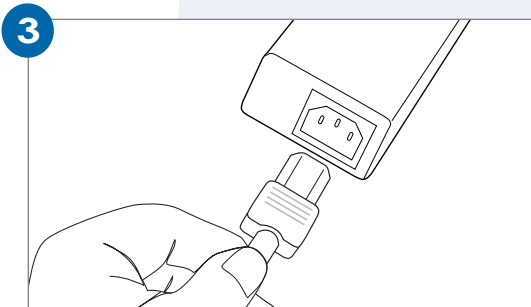
1b Organizer facing inward



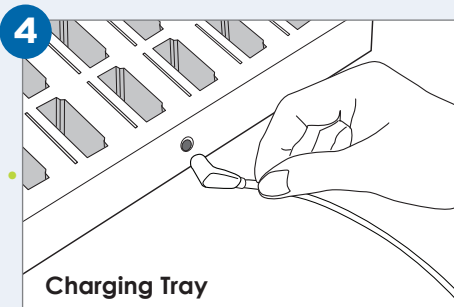
1c OR Organizer facing outward



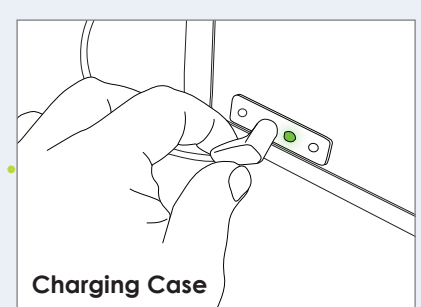
2 Organizer can optionally be mounted to a flat surface such as a counter top or table



3 Connect the power cord to the charging unit and connect to power source



4 Connect the power supply  
Charging status is indicated by a flashing LED (See check-in step 5)  
Please note - while charging, the case must remain open

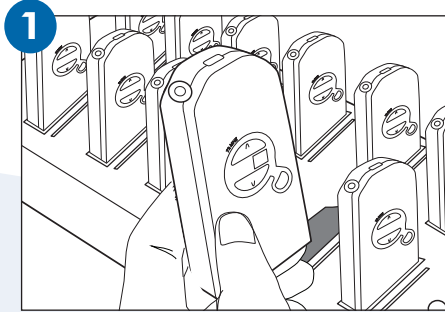


Dispensing Instructions on reverse side ➡

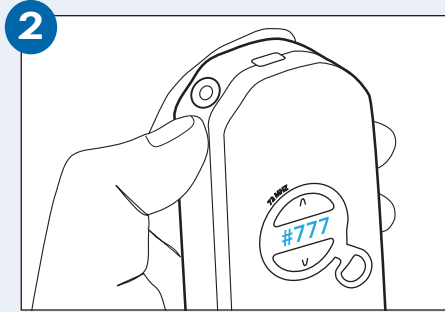
# DISPENSING INSTRUCTIONS

## Check-out Units

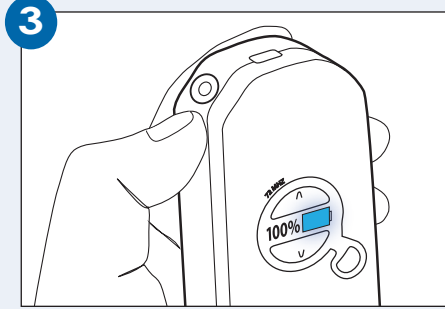
Remove a unit from the charging slot



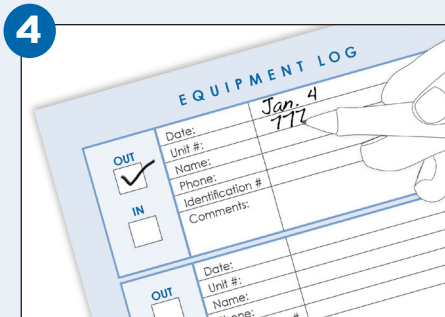
Unit automatically turns on and ID # is displayed



Confirm that the battery is charged



Place the guest's ID in the receiver slot of the charging tray

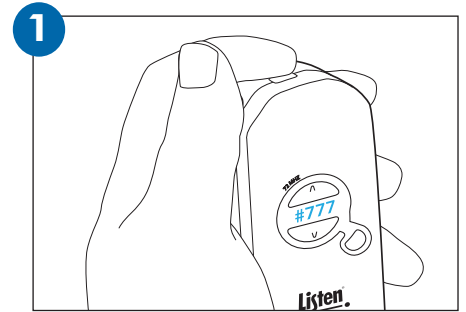


\*Download software at [www.listentech.com/downloads](http://www.listentech.com/downloads)

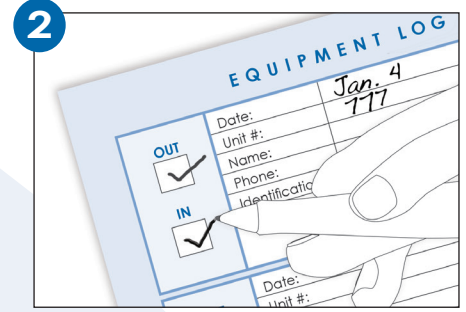
**Don't miss a single sound.** Listen®

## Check-in Units

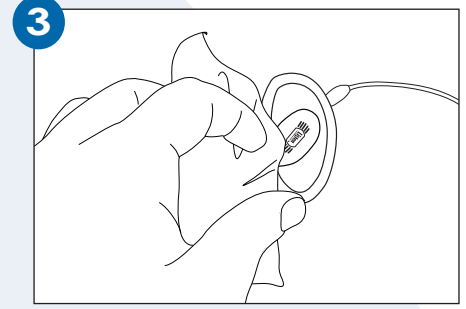
Momentarily press POWER to get the unit ID number



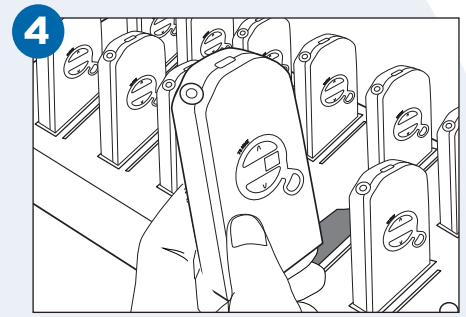
Check-in the unit using the Listen Log Book, software\*, or return the guest's ID



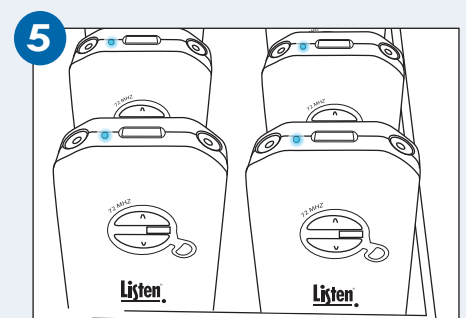
Use Listen Disinfecting Wipes to clean the earphone and unit



Place the unit in a charging slot



Unit turns off automatically and begins charging



LED status: flashing- charging, solid- fully charged